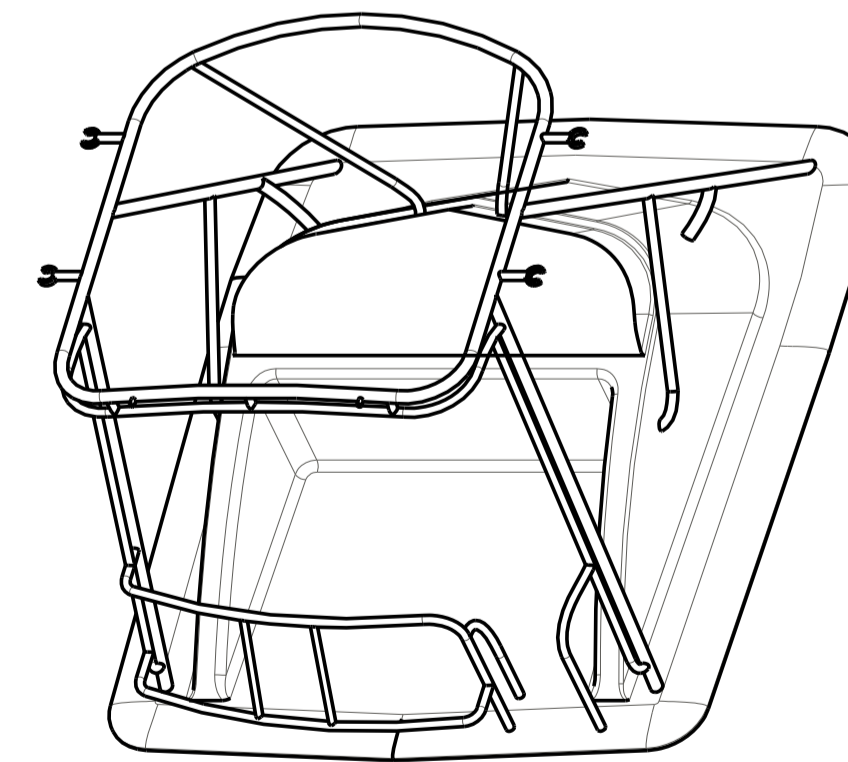
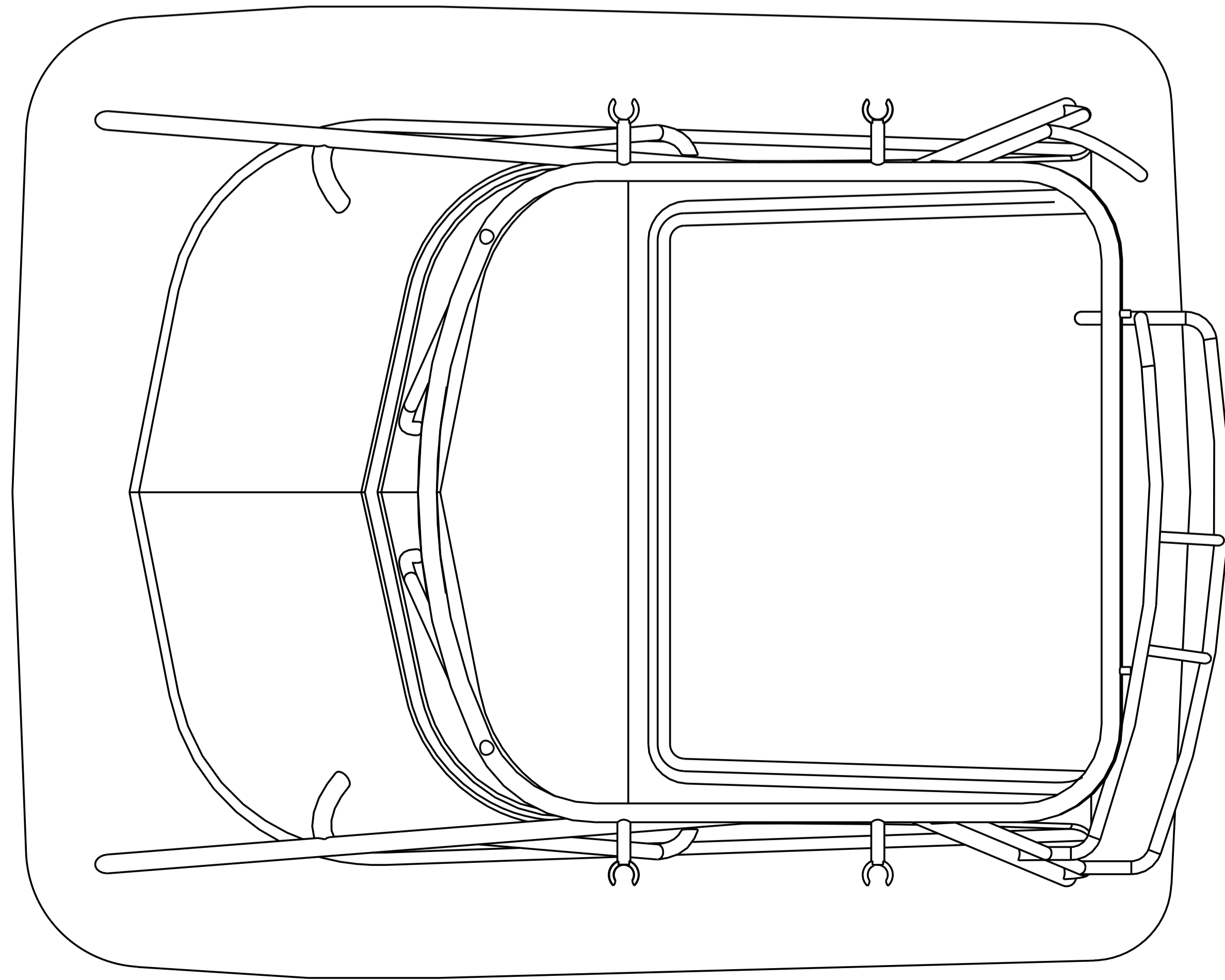
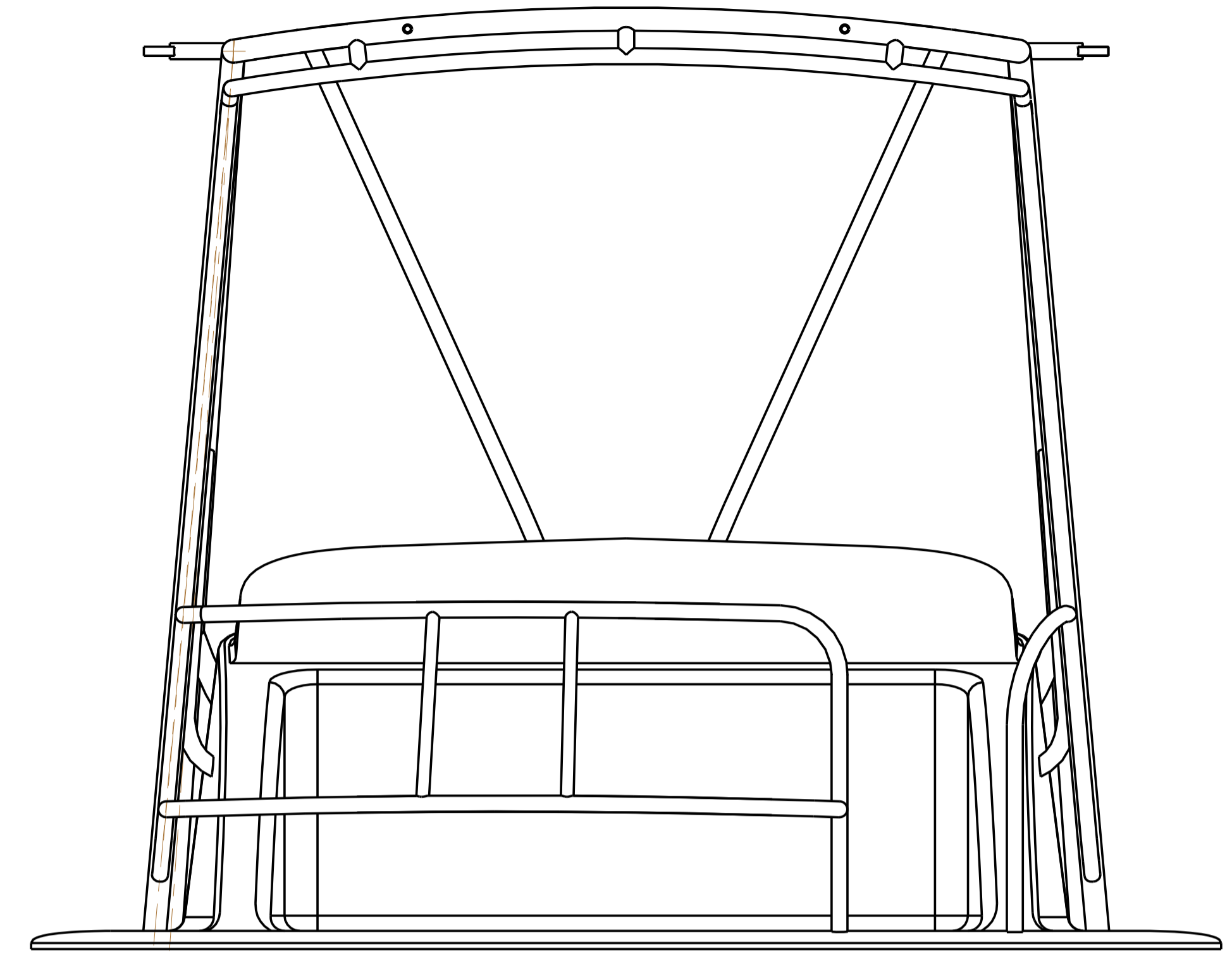
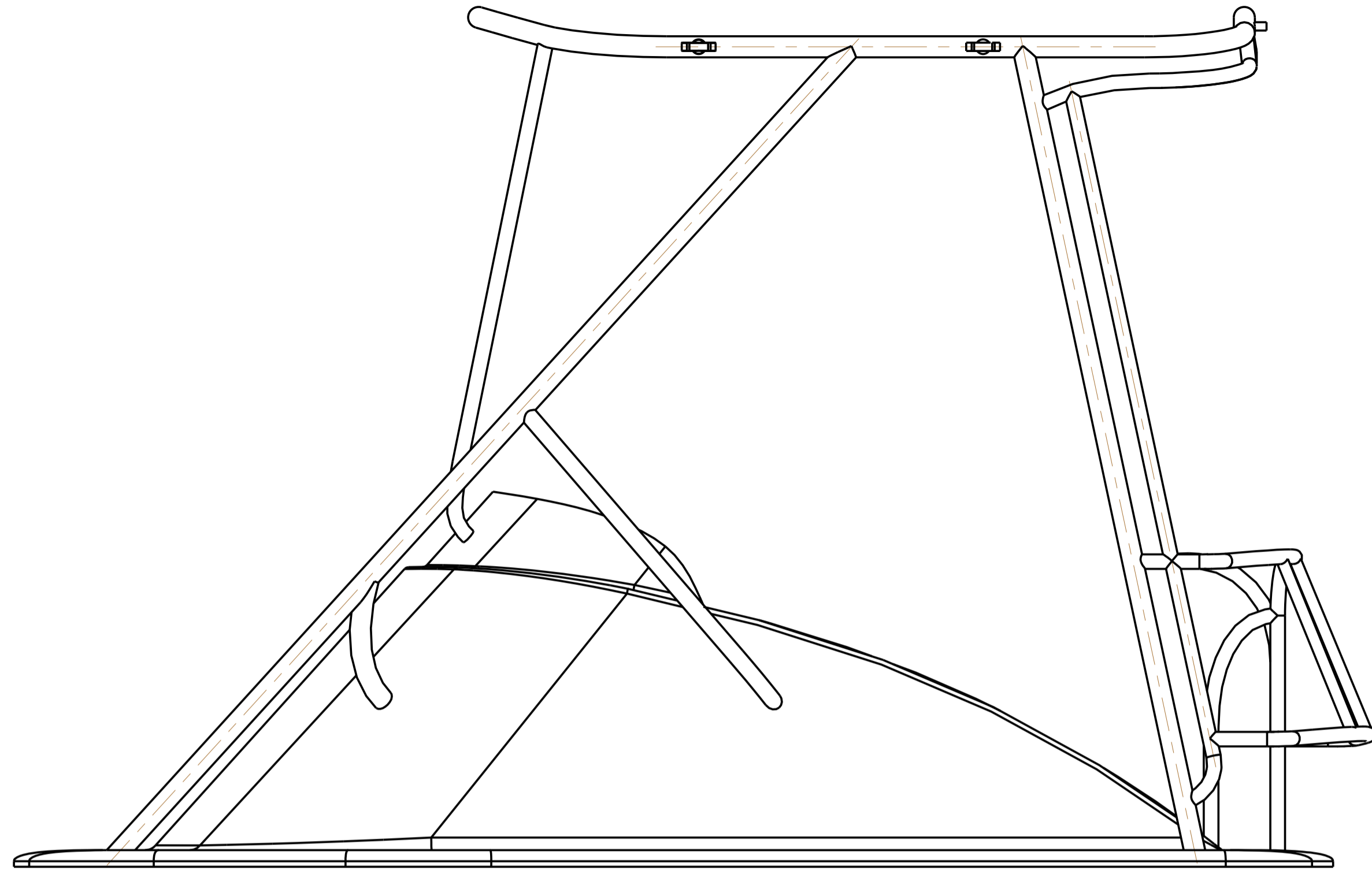


REVISIONS			
LTR	DESCRIPTION	DATE	APPROVED



THIS DOCUMENT CONTAINS PROPRIETARY INFORMATION OF BIACH INDUSTRIES INC. IT IS TRANSMITTED TO YOU IN CONFIDENCE AND TRUST. IT'S CONTENTS MAY NOT BE DISCLOSED IN WHOLE OR IN PART TO OTHERS OR USED FOR OTHER THAN THE PURPOSE FOR WHICH IT IS TRANSMITTED, WITHOUT PRIOR WRITTEN PERMISSION OF BIACH INDUSTRIES, INC.

TOLERANCES UNLESS OTHERWISE SPECIFIED	
(1) PLACE DEC.	±.05 FINISH ²⁵
(2) PLACE DEC.	±.02 BREAK SHARP EDGES
(3) PLACE DEC.	±.005 .02 MAX RADIUS
ANGLES: ±0°30' ALL THREADS CLASS 2	
DRAWN BY:	MD
DATE:	25-Jun-07
CHECKED BY:	
DATE:	
SCALE:	0.036
DWG #:	

DESIGN BY MIKE DOLAN MikeD@Lightningshack.com	
TITLE:	Hard Top Frame
MATERIAL:	Aluminum (Polished)
COATING:	Anodize (Clear)
REV:	1 / 1