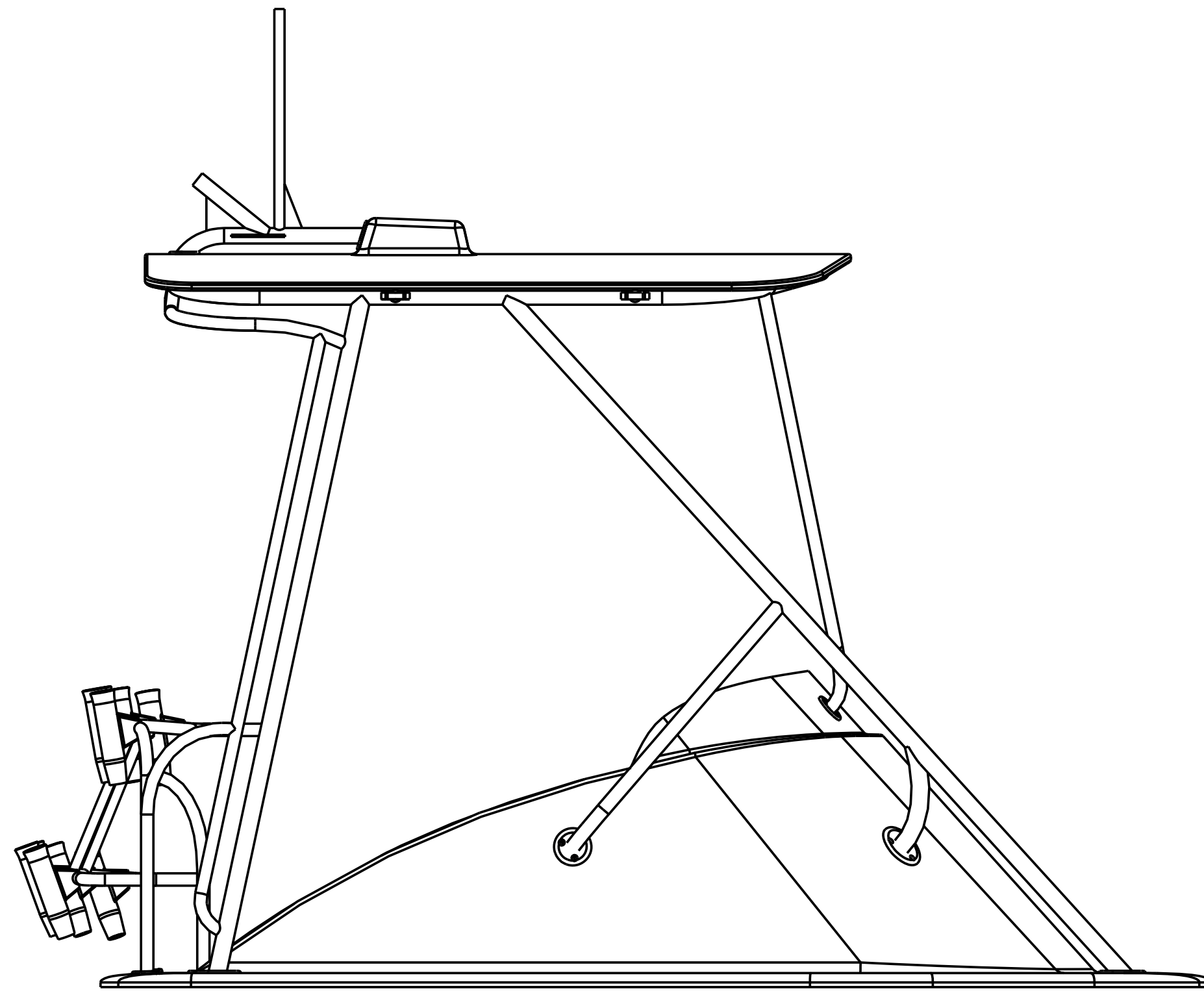
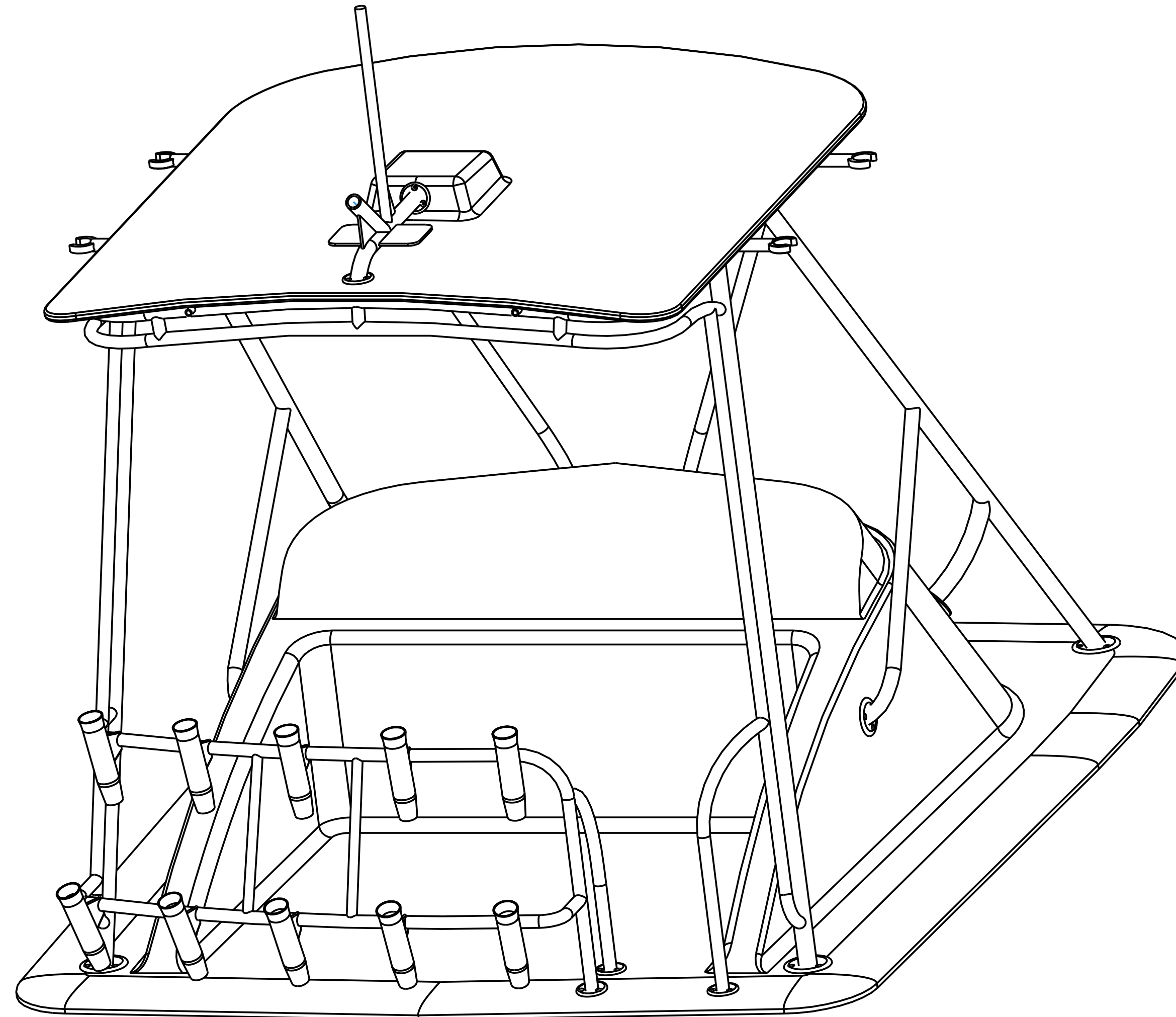


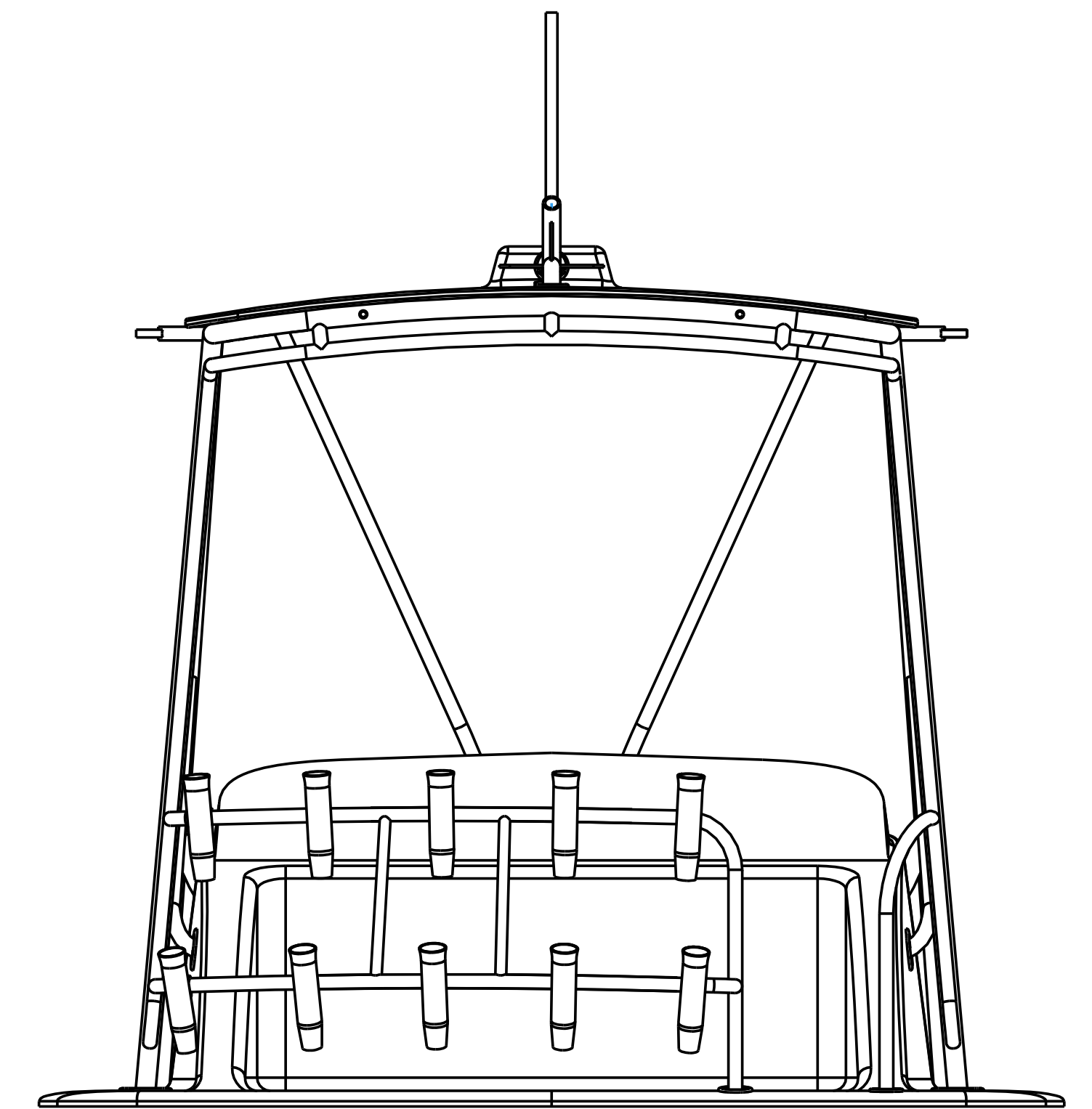
REVISIONS			
LTR	DESCRIPTION	DATE	APPROVED



SCALE 0.075



SCALE 0.100



SCALE 0.075

<p>THIS DOCUMENT CONTAINS PROPRIETARY INFORMATION OF BIACH INDUSTRIES INC. IT IS TRANSMITTED TO YOU IN CONFIDENCE AND TRUST. IT'S CONTENTS MAY NOT BE DISCLOSED IN WHOLE OR IN PART TO OTHERS OR USED FOR OTHER THAN THE PURPOSE FOR WHICH IT IS TRANSMITTED. WITHOUT PRIOR WRITTEN PERMISSION OF BIACH INDUSTRIES INC.</p>	<p>TOLERANCES UNLESS OTHERWISE SPECIFIED          (1) PLACE DEC. ±.05 FINISHES          (2) PLACE DEC. ±.02 BREAK SHARP EDGES          (3) PLACE DEC. ±.005 .02 MAX RADIUS          ANGLES 20°/30° ALL THREADS CLASS 2</p>	<p>DESIGN BY MIKE DOLAN          MikeD@lightninghack.com</p>
	<p>DRAWN BY: MD</p>	<p>TITLE: HARD TOP ASSEMBLY</p>
	<p>DATE: 25-Jun-07</p>	<p>MATERIAL:</p>
	<p>CHECKED BY:</p>	<p>COATING:</p>
<p>SCALE: 0.032</p>	<p>DWG #:</p>	<p>REV: SHEET: 1 / 1</p>